

EMBA COFFEE TABLE

Product information and
aftercare guide



At Ora Home, we believe that true luxury lies in longevity. Therefore, knowledge of your piece and its aftercare is a fundamental pillar of our philosophy.

This guide set outs detailed information to ensure that you can steward your furniture down to the next generation.



TABLE Of Contents

PRODUCT INFORMATION SHEET (01)

DESCRIPTION

TECHNICAL DETAILS

DIMENSIONS

MATERIAL FINISHES

AFTER CARE GUIDE (02)

GENERAL CARE



EMBA COFFEE
TABLE

FINISHED IN
BROWN OAK WOOD

EMBA Coffee Table

The EMBA Coffee Table serves as a central stage, uniting living elements.

With a sculpted insert, it is crafted to be naturally complimented with the Pebal Tray.



EMBA COFFEE
TABLE

FINISHED IN
BROWN OAK WOOD

Emba Coffee Table

TECHNICAL DETAILS:

PRODUCT NAME: EMBA

DIMENSIONS: HEIGHT 42 CM
WIDTH 135 CM
DEPTH 69 CM

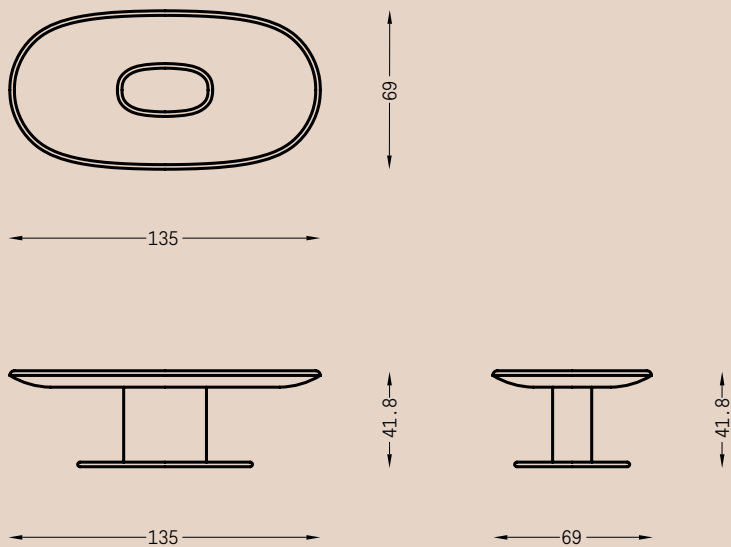
PRODUCT TYPE: COFFEE TABLE

ORIGIN: HANDCRAFTED IN PORTUGAL

STRUCTURE: RUSTIC EUROPEAN WHITE OAK

WOOD FINISH: 3 TREATMENTS

DIMENSIONS Of The Coffee Table



FINISHED IN
BROWN OAK WOOD





MATERIAL: RUSTIC EUROPEAN
WHITE OAK.

Wood
OAK



Natural



Brown



Black

We have selected this wood due to the natural character of the wood that we want to celebrate. We offer three oil finishes that were developed to enhance the character of the wood.

Care Guide

OAK



DUST Use a soft, lint-free cloth (cotton or microfiber) to wipe away dust. Dust can be abrasive,

WIPE SPILLS Oil finishes are not as waterproof as polyurethane. If you spill liquid, blot it up immediately with a clean cloth. Do not let water sit on the surface, as it can raise the grain or leave white rings.

WIPE SPILLS **SURFACE** - only affecting **MINOR** - penetrating the **DEEP** - requiring wood



THINGS Silicon-based Polishes:
Silicon-based Polishes: Avoid aerosol sprays like Pledge. They create a barrier that prevents the wood from accepting new oil later and can leave a hazy film.

Direct Heat and Sunlight:
Prolonged exposure to direct sunlight can fade the wood and dry out the oil finish. Use coasters for hot drinks to prevent heat rings.

harsh chemicals:
Never use bleach, ammonia, or abrasive cleaners, as they will strip the oil and damage the wood fibers.

HOW TO

Clean the Surface:

CHOOSE THE

Use a furniture oil compatible with the original finish.

Boiled Linseed Oil

tung Oil

danish Oil

lemon Oil

APPLY THE OIL:

Pour a small amount of oil onto a clean cloth (never directly on the wood). Rub it into the

This is the most critical step. Wipe away all excess oil with a clean, dry cloth. If you leave

Applying the first coat of wipe-on finish brings wood to life, but don't be disappointed



CONTACT

Us



If you have any questions or concerns, please visit our website at orahome.eu or email us at sales@orahome.eu